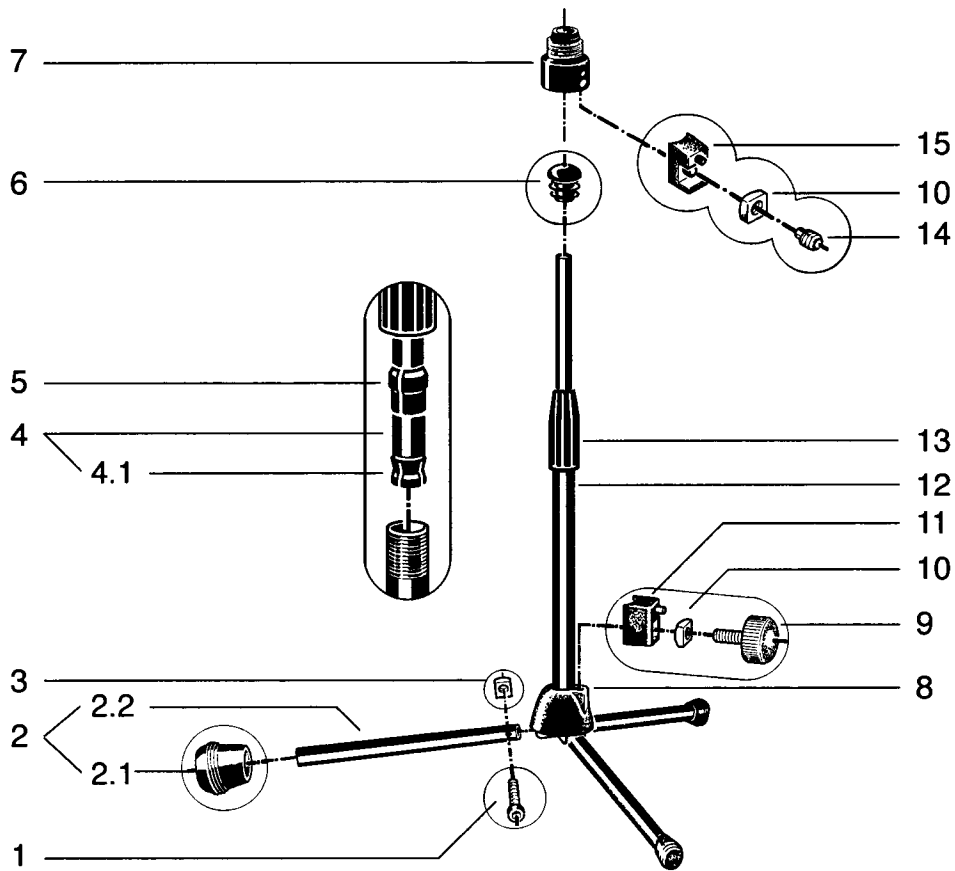


15205 Universal Stand

15205.000.55 black



pos.	description	art.-no.	qty
1	allee screw	03.02.165.00	3
2	leg complete, consisting of:	7.143.700455	3
2.1	end cap	01.84.890.55	1
2.2	leg	02.86.110.55	1
3	locking nut M5	03.08.210.29	3
4	extension rod complete	7.152.150155	1
4.1	plastic stop	01.85.070.55	1
5	plastic ring	01.86.820.55	1
6	extension rod cap	03.20.620.55	1
7	plastic tightening sleeve	01.86.960.55	1
8	socket	01.84.155.55	1
9	knurled knob M6 x 20 mm	01.82.836.55	1
10	locking nut M6	03.08.305.00	2
11	plastic locking spacer	01.86.642.55	1
12	base rod	02.75.195.55	1
13	plastic tightening sleeve	01.86.920.55	1
14	grub screw	03.04.304.00	1
15	plastic locking spacer	01.86.635.55	1

SPARE PARTS INSTRUMENT STANDS

SI
15205