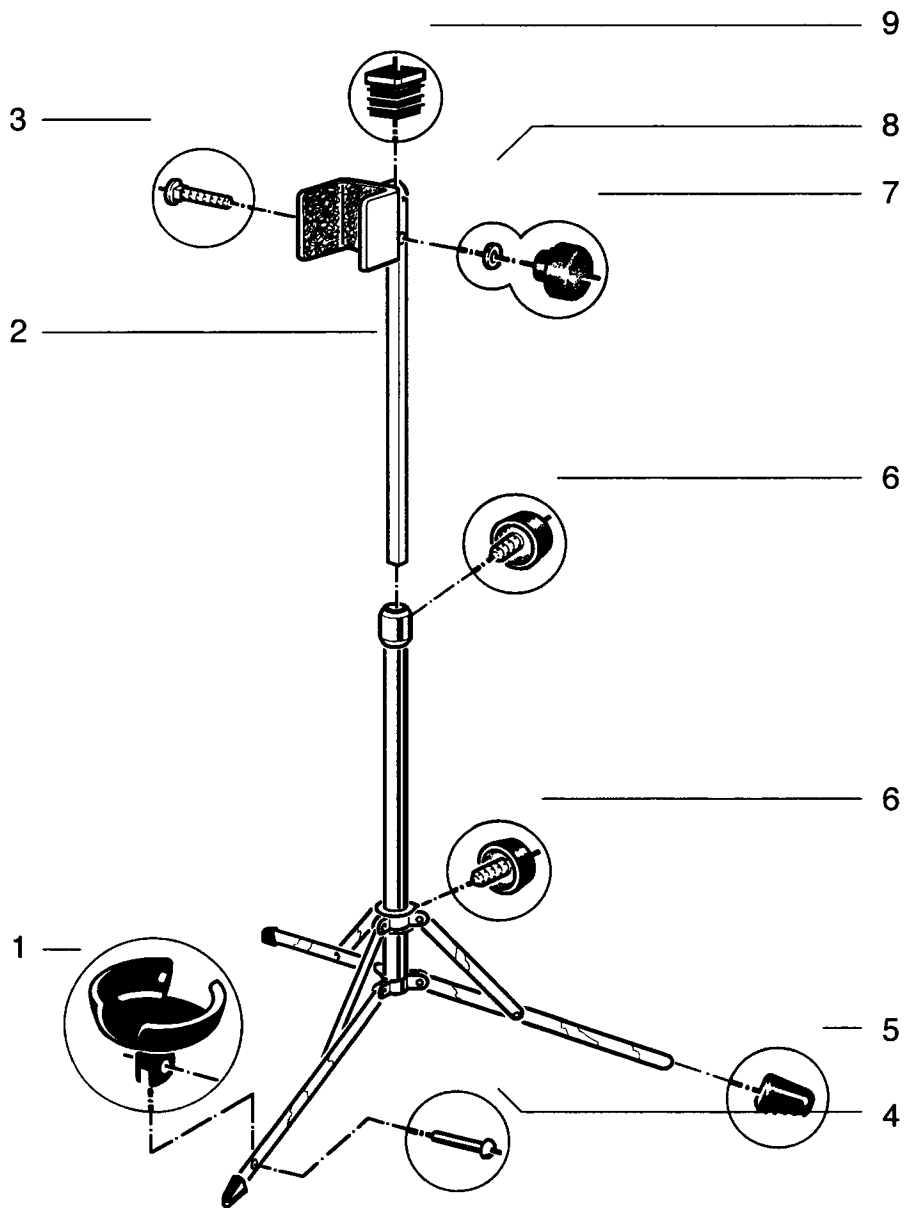


150/1 Bassoon Stand

15010.000.01 nickel



SPARE PARTS INSTRUMENT STANDS



pos.	description	art.-no.	qty
1	lower instrument support	02.41.930.55	1
2	extension rod with instrument support	7.150.100101	1
3	carriage bolt M5 x 30 mm	03.07.150.01	1
4	rivet \varnothing 4 x 8 mm	03.61.685.29	1
5	leg cap	01.84.745.55	3
6	knurled knob M8 x 19 mm	01.81.650.55	2
7	locking knob M5	01.82.900.55	1
8	washer \varnothing 5,2 mm	01.28.010.01	1
9	extension rod cap	03.20.710.55	1