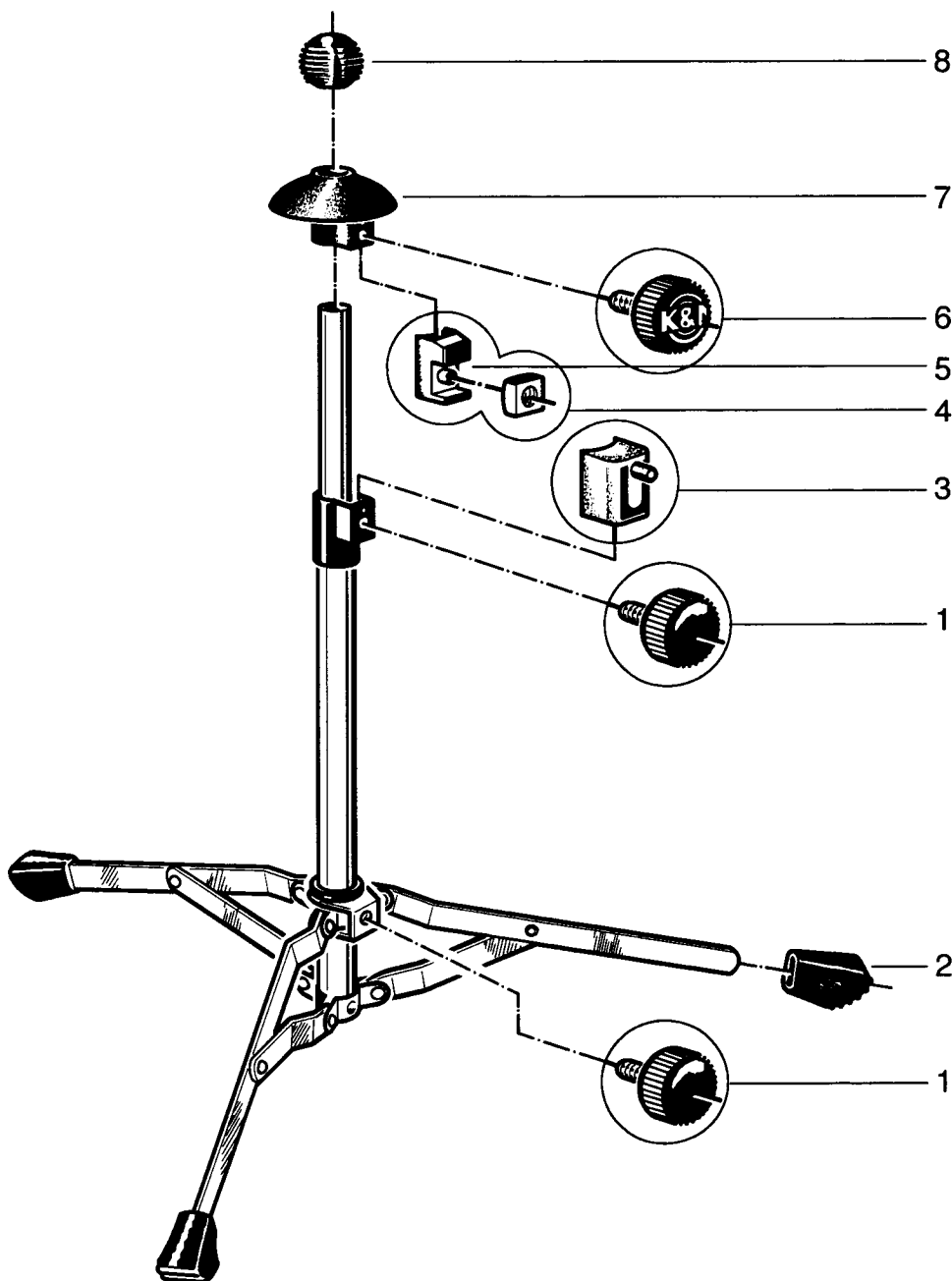


149/9 Trombone Stand

14990.000.01 nickel

14990.000.02 chrome



pos.	description	art.-no. nickel	art.-no. chrome	qty
1	knurled knob M6 x 15 mm	01.82.830.55	01.82.830.55	2
2	leg cap	01.84.720.55	01.84.720.55	3
3	plastic locking spacer	01.86.630.55	01.86.630.55	1
4	locking nut M6	03.08.305.00	03.08.305.00	1
5	plastic locking spacer	01.86.635.55	01.86.635.55	1
6	knurled knob M6 x 15 mm with Logo	01.82.831.55	01.82.831.55	1
7	rubber peg	01.84.355.55	01.84.355.55	1
8	extension rod sap	03.22.526.55	03.22.526.55	1