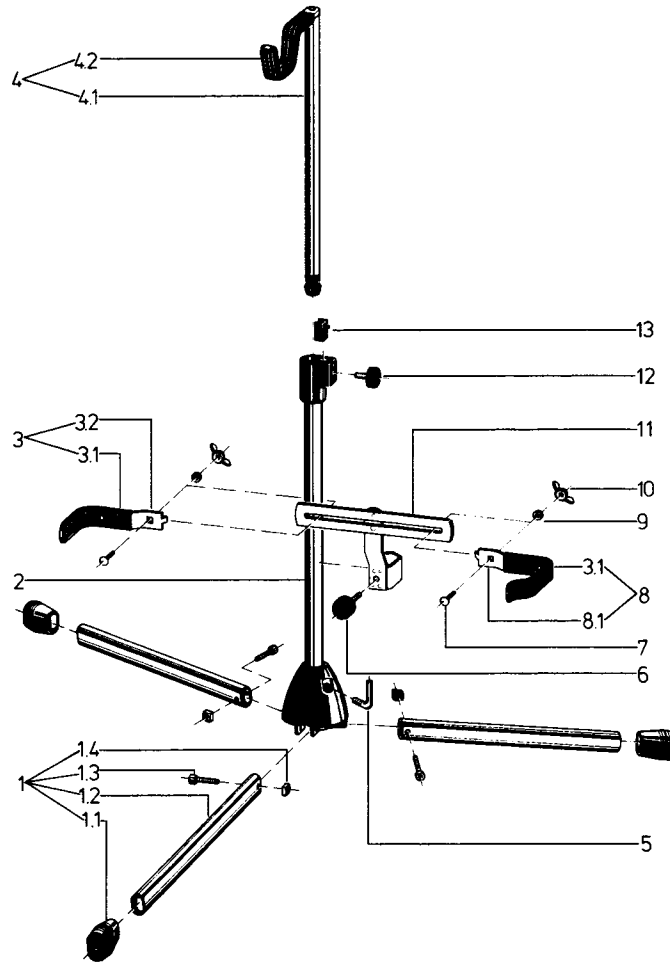


# 149/2 Tenor Horn Stand

14920.000.02 chrome



pos.	description	art.-no.	qty
1	leg complete, consisting of:	7.149.200102	3
1.1	rubber end cap	01.84.890.55	1
1.2	leg tube	02.86.110.02	1
1.3	allen screw M5 x 25 mm	03.02.150.00	1
1.4	square nut	03.08.210.29	1
2	base rod	7.149.200202	1
3	left support arm, consisting of:	7.149.200302	1
3.1	rubber covering	03.20.560.55	1
3.2	left brace	01.19.360.02	1
4	extension rod complete, consisting of:	7.149.200602	1
4.1	rod	7.149.200502	1
4.2	rubber covering	03.20.535.55	1
5	fastening L shaped screw	01.04.098.01	1
6	brace tightening knob M6 x 30 mm	01.82.850.55	1
7	arm locking screw M5 x 20 mm	03.07.130.01	2
8	right support arm	7.149.200402	1
8.1	right brace	01.19.420.02	1
3.1	rubber covering	03.20.560.55	1
9	washer	01.28.010.01	2
10	wing nut M5 ø 30 mm	03.10.160.01	2
11	middle brace	5.14920.1.02	1
12	extension adjustment knob M6 x 15 mm	01.82.830.55	1
13	plastic locking spacer	01.86.630.55	1

SPARE PARTS INSTRUMENT STANDS

SI  
149/2