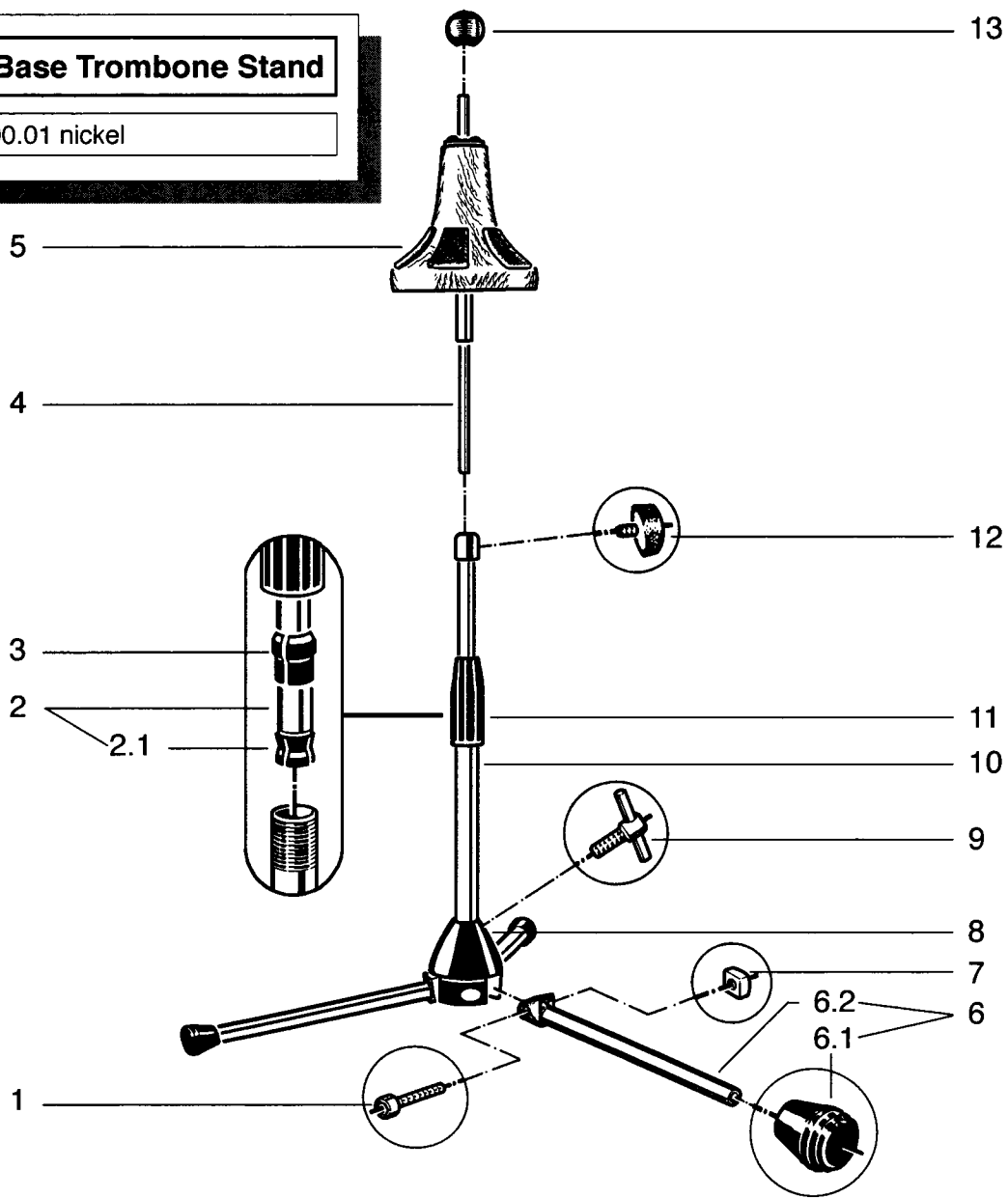


**149/1 Base Trombone Stand**  
 14910.000.01 nickel



pos.	description	art.-no.	qty
1	allen screw	03.02.165.00	3
2	extension rod complete	7.201.350301	1
2.1	plastic stop	01.85.070.55	1
3	plastic ring	01.86.820.55	1
4	extension rod	01.03.515.01	1
5	peg complete	7.149.100101	1
6	complete leg, consisting of:	7.259.000201	3
6.1	end-caps	01.84.885.55	1
6.2	leg tubing	02.82.600.01	1
7	locking nut	03.08.210.29	3
8	socket	02.41.140.55	1
9	toggle screw M8	01.04.195.01	1
10	base rod	02.75.170.01	1
11	plastic tightening sleeve	01.86.920.55	1
12	knurled knob	01.81.935.55	1
13	PVC-rod-end ball	03.22.520.55	1

**SPARE PARTS INSTRUMENT STANDS**