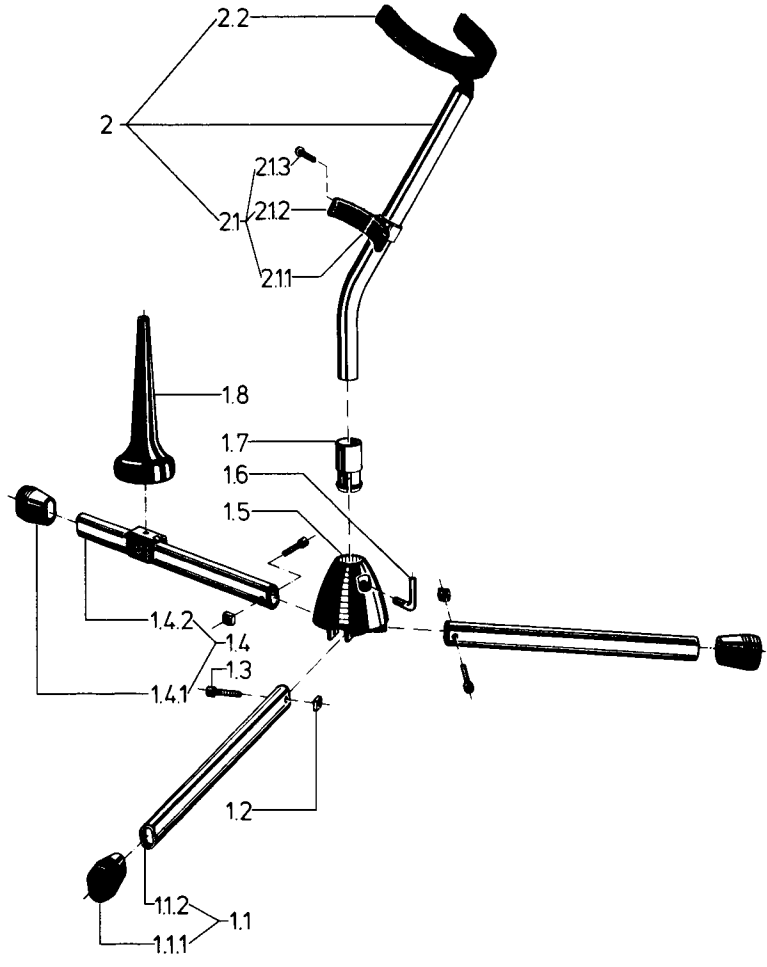


143/7 Saxophone Stand
14370.000.01 nickel



pos.	description	art.-no.	qty
1	base complete, consisting of:	7.143.700701	1
1.1	leg complete, consisting of:	7.143.700401	2
1.1.1	rubber end cap	01.84.890.55	1
1.1.2	leg tube	02.86.110.01	1
1.2	square nut M5	03.08.210.29	3
1.3	allen screw	03.02.150.00	3
1.4	leg with peg holder complete, consisting of:	7.143.700601	1
1.4.1	rubber end cap	03.20.186.55	1
1.4.2	leg tube with peg holder	7.143.700501	1
1.5	socket	02.41.120.55	1
1.6	toggle screw	01.04.098.01	1
1.7	plastic bushing	01.86.290.99	1
1.8	wooden peg	7.143.700355	1
2	support arm complete, consisting of:	7.143.700201	1
2.1	lower support brace complete, consisting of:	7.143.700155	1
2.1.1	small metal brace	01.16.200.01	1
2.1.2	velvet covering	01.75.841.55	2
2.1.3	screw	03.05.340.01	1
2.2	velvet covering	01.75.840.55	2