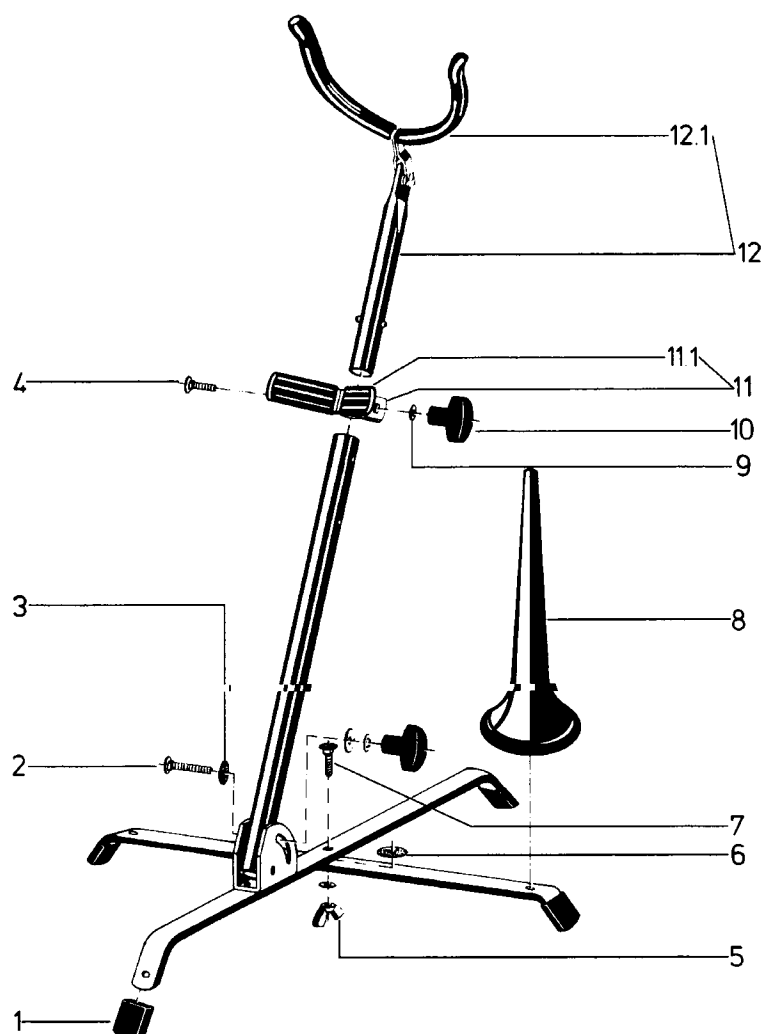


**143/1 Saxophone Stand**

14310.000.55 black

**SPARE PARTS INSTRUMENT STANDS**

pos.	description	art.-no.	qty
1	leg cap	01.84.700.55	4
2	carriage bolt M5 x 30 mm	03.07.150.01	1
3	lock washer	03.11.300.00	2
4	carriage bolt M5 x 15 mm	03.07.120.01	1
5	wing nut	03.10.160.01	1
6	rubber spacing washer	03.21.110.55	1
7	carriage bolt M5 x 20 mm	03.07.130.01	1
8	wooden peg	7.143.100155	1
9	washer	01.28.010.01	1
10	tightening knob	01.83.250.55	2
11	lower support brace complete	7.143.100255	1
11.1	rubber brace covering	03.20.530.55	2
12	support arm complete	7.143.100355	1
12.1	rubber covering	03.20.515.55	2