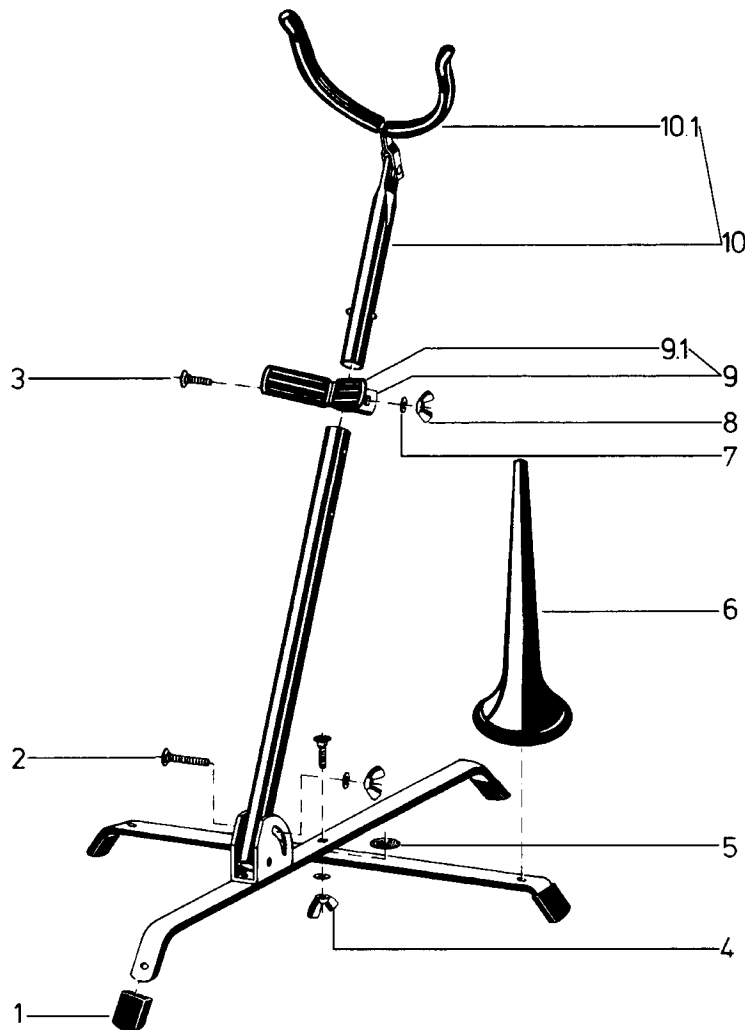


143/1 Saxophone Stand
14310.000.01 nickel



pos.	description	art.-no.	qty
1	end cap	01.84.700.55	4
2	carriage bolt M5 x 30 mm	03.07.150.01	1
3	carriage bolt M5 x 20 mm	03.07.130.01	2
4	wing nut	03.10.160.01	2
5	rubber spacing washer	03.21.110.55	1
6	wooden peg	7.143.100100	1
7	washer	01.28.010.01	3
8	wing nut	03.10.150.01	1
9	support brace	7.143.100201	1
9.1	rubber covering	03.20.530.55	2
10	upper arm support	7.143.100301	1
10.1	rubber covering	03.20.515.55	2