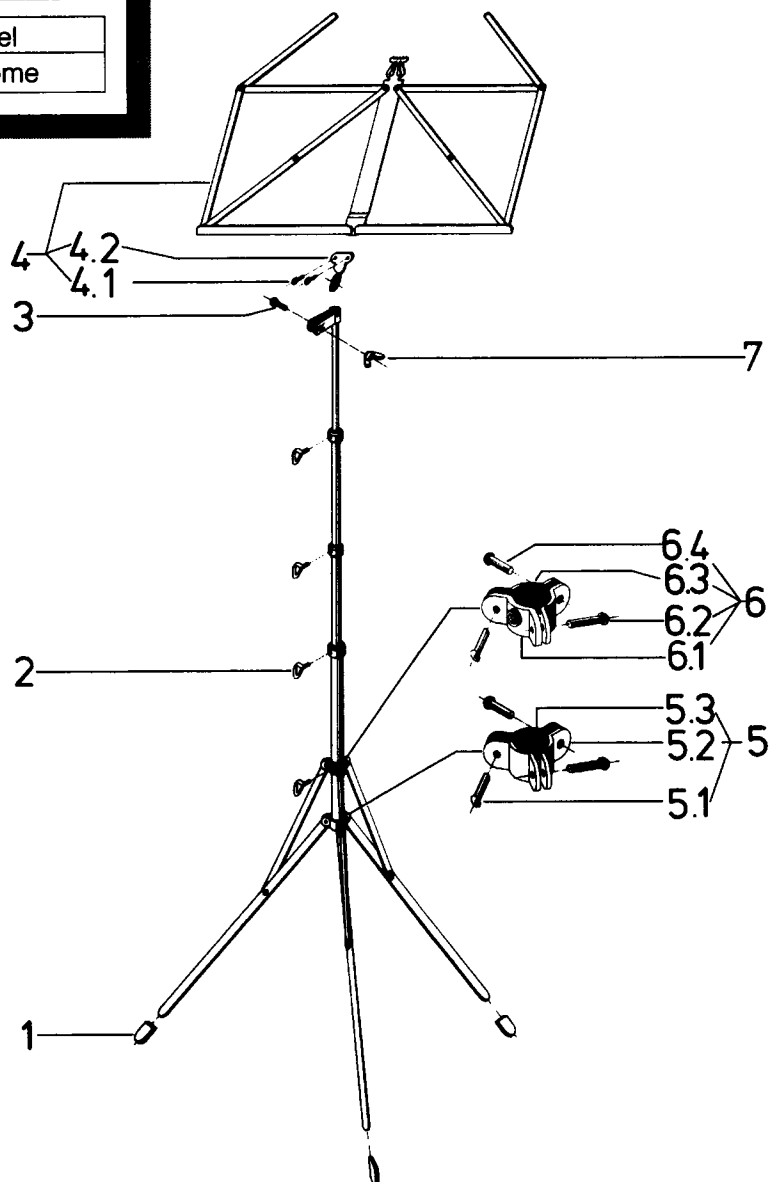


102 Music Stand

10200.000.01 nickel

10200.000.02 chrome



pos.	description	art.-no. nickel	art.-no. chrome	qty
1	leg cap	01.84.550.55	01.84.550.55	3
2	thumb screw	03.06.630.01	03.06.630.02	4
3	carriage bolt	03.07.120.01	03.07.120.29	1
4	desk complete	6.10100.1.01	6.10100.1.02	1
4.1	flat head rivet 3 x 8 mm	03.62.065.01	03.62.065.01	2
4.2	swivel connector	01.44.520.01	01.44.520.02	1
5	assembly clamp complete, consisting of:	7.102.000201	7.102.000202	1
5.1	spherical head rivet 3 x 10 mm	03.61.060.01	03.61.060.01	3
5.2	clamp \varnothing 3,5 mm	01.35.250.01	01.35.250.02	1
5.3	clamp \varnothing 3,1 mm	01.35.230.01	01.35.230.02	2
6	upper assembly clamp complete	7.101.000301	7.101.000302	1
6.1	threaded clamp	01.15.026.01	01.15.026.02	1
6.2	spherical head rivet 3 x 11 mm	03.61.065.01	03.61.065.01	2
6.3	clamp	01.35.235.01	01.35.235.02	2
6.4	spherical head rivet 3 x 9 mm	03.61.055.01	03.61.055.01	1
7	wing nut M5	03.10.150.01	03.10.150.02	1