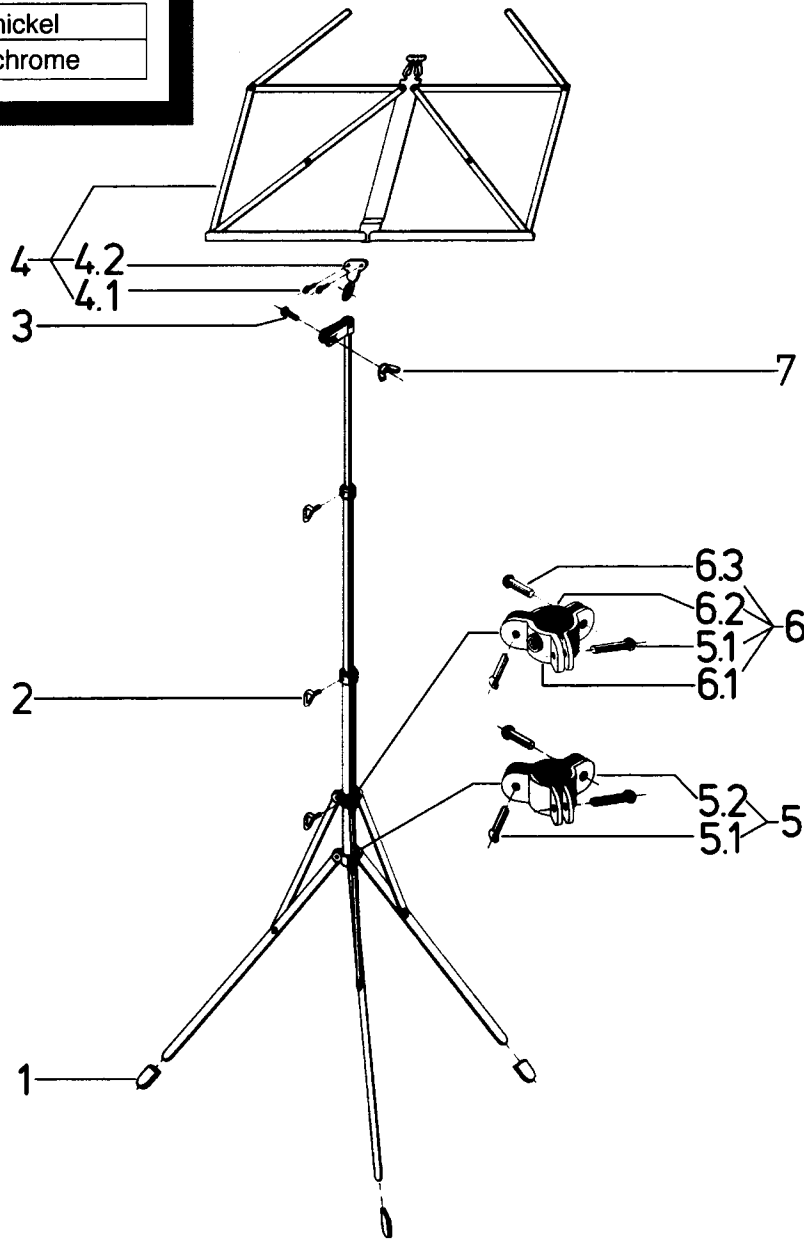


101 Music Stand

10100.000.01 nickel

10100.000.02 chrome



pos.	description	art.-no. nickel	art.-no. chrome	qty
1	leg cap	01.84.550.55	01.84.550.55	3
2	thumb screw	03.06.630.01	03.06.630.02	3
3	carriage bolt M5 x 15 mm	03.07.120.01	03.07.120.29	1
4	desk complete	6.10100.1.01	6.10100.1.02	1
4.1	flat-head rivet	03.62.065.01	03.62.065.01	2
4.2	swivel connector	01.44.520.01	01.44.520.02	1
5	assembly clamp complete, consisting of:	7.101.000401	7.101.000402	1
5.1	spherical head rivet 3 x 10 mm	03.61.060.01	03.61.060.01	3
5.2	clamp	01.35.220.01	01.35.220.02	3
6	upper assembly clamp cpl., consisting of:	7.101.000201	7.101.000202	1
6.1	threaded clamp side	01.36.333.01	01.36.333.02	1
6.2	clamp	01.35.230.01	01.35.230.02	2
6.3	spherical head rivet	03.61.055.01	03.61.055.01	1
5.1	rivet 3 x 10 mm	03.61.060.01	03.61.060.01	2
7	wing nut	03.10.150.01	03.10.150.02	1